

ALLISCOM

Iridium Antenna

Data Sheet



Model No. CMIDM

Feature Iridium Certified
Delivers high efficiency for Iridium
Resistant to harsh outdoor environment
Concealable, Flat structure
IP67

Description The CMIDM is a high performance and quality antenna for Iridium satellite phone communications. A low profile passive antenna guarantees continuous signal coverage for excellent operation. The type of antenna allows easy installation. There is a high demanding of the Iridium antennas for Crew on the steamer, Navy along coastline, Caravan in desert who requires reliable, high-performing antennas connected with Iridium Phone Set for a seamless communications.

1. Electrical Specifications

Iridium antenna

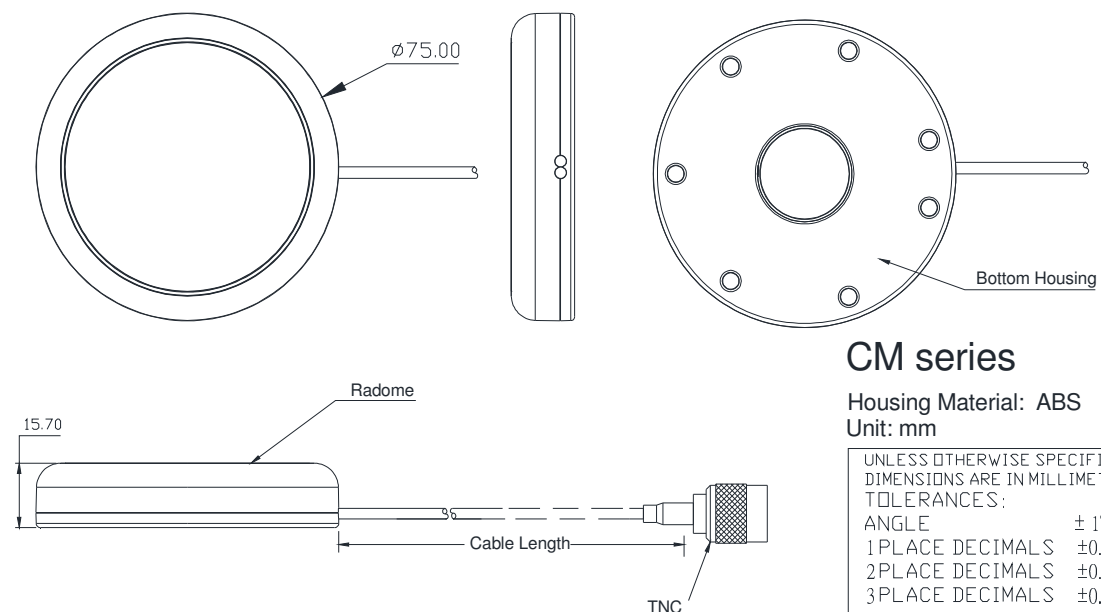
Center Frequency	1621 ± 3 MHz
Bandwidth	20 MHz Min. at -10 dB
Axial Ratio	3 dB Max. @ 0°
Efficiency	70% Min. (Without ground plane)
Impedance	50 Ω
Peak Gain	4 dBic Min @ 0°
Gain Coverage	≥ -4dBic at -90° ≤ θ ≤ 90° (over 75% volume)
Power Handling	30 Watt
Polarization	RHCP

2. Mechanical Specifications

2.1 Mechanical

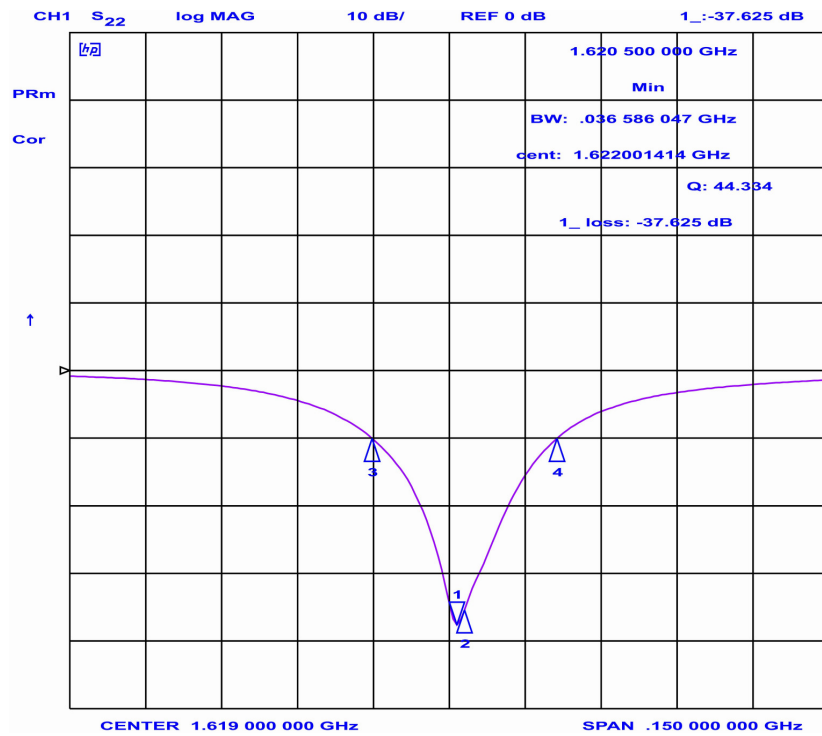
Size	75mm Dia. * 15.8mm
Weight (Without Cable)	75 grams Max.
Connector	Custom
RF Cable	Custom
Cable Length	Custom
Mounting	Magnetic base
Housing Color	Black
Degrees of Protection	IP67 (Dustproof and Waterproof)

2.2 Dimension



3. Appendix

- Return Loss:



- Efficiency

